

Multiplexer Module

- ◆ **1260-30 Configurable as any of the Following Two-wire Networks:**
 - One 1x40 multiplexer
 - Two 1x20 multiplexers
 - Four 1x10 multiplexers
 - Eight 1x5 multiplexers
- ◆ **10MHz Bandwidth**
- ◆ **Switches up to 2A and 250V**
- ◆ **High Power Multiplexer**
- ◆ **Provides Circuit Pads for User Supplied Terminators**

Racal Instruments 1260-30 is a high power scanner/multiplexer configurable as eight 1x5, four 1x10, two 1x20 or one 1x40 two-wire multiplexer networks. The 1260-30 is ideal for switch applications where multiple channels have to be scanned or multiplexed on to a common bus. As is the case in scanning UUT test points with a DMM or in continuity testing.

Relay coil current monitoring is available to provide confidence checking which gives the user assurance of proper relay operation.

Mounting holes associated with each channel permit installation of user supplied components.

The 1260-30 is controlled by the Option 01 message-based interface.

1260-30 PRODUCT SPECIFICATIONS

Maximum Switchable Voltage

(Terminal-Terminal or Terminal-Chassis)
220 VDC or 250 VACrms

Maximum Switchable Current

Per Channel: 2ADC or 2Arms

Maximum Switchable Power

Per Channel: 60WDC, 62.5VA

DC PERFORMANCE

Path Resistance

150 m Ω

Isolation

>10⁹ Ω

AC PERFORMANCE (into 50 Ω)

Capacitance

Open Channel: <40pF
Channel-Chassis: <60pF
High-Low: <280pF

Bandwidth (-3dB)

10MHz

Insertion Loss

100kHz: < 0.1dB
1MHz: < 0.1dB
10MHz: < 1.3dB

Crosstalk

100kHz: <-55dB
1MHz: <-45 dB
10MHz: <-30dB

VXIBUS INTERFACE DATA

Cooling Requirements

Airflow: 1.0 liters/sec
Backpressure: 0.05mm H₂O

With Option 01S/T

Airflow: 2.0 liters/sec
Backpressure: 0.2mm H₂O

Power Requirements

+5V: 0.4A (2.8A with Option 01 installed)
+24V: 10mA per relay (energized)

Dimensions

C-size, Single-slot VXIbus Module

Weight

2.59 lb. (1.17 kg) without Option 01
2.87 lb. (1.29 kg) with Option 01

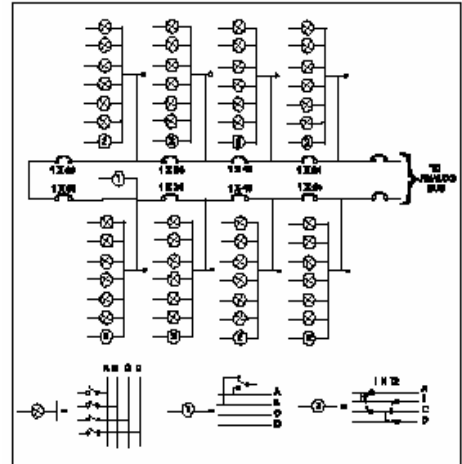
Typical Programming Syntax

Programming Syntax is in the form:
“<module address >.<group number><channel>”

Example: CLOSE 3.309


This CLOSE statement will close relay number 9 in group number 3 on the 1260-30 at card address 3.

Note: Module is supplied with one set of mating connectors. Additional connectors can be ordered using the part number shown below



Model 1260-30

40 two-wire channels configured as eight 1x5 multiplexers

 The CE Mark indicates that the product has completed and passed rigorous testing in the area of RF Emissions, Immunity to Electromagnetic Disturbances and complies with European electrical safety standards.

ORDERING INFORMATION

MODEL/DESCRIPTION

Racal Instruments 1260-30A, 2-Wire, 1x40 Multiplexer
Racal Instruments 1260-30B, 2-Wire, Dual 1x20 Multiplexer
Racal Instruments 1260-30C, 2-Wire, Quad 1x10 Multiplexer
Racal Instruments 1260-30D, 2-Wire, Eight 1x5 Multiplexer
Racal Instruments Option 01*, Smart Card Module (installed)
50-Pin Connector Body Part (2 supplied)
50-Pin Connector Solder Type Pins (100 supplied)
Insertion Tool
Extraction Tool

*One Option 01 must be ordered with switch system. Please specify the card on which Option 01 will be installed

PART NUMBER

404767-001
404767-002
404767-003
404767-004
OPT-401901-005
601855-050
601857
9099
9081

The EADS North America Defense Test and Services policy is one of continuous development, consequently the equipment may vary in detail from the description and specification in this publication.



EADS North America Defense Test and Services
1.800.722.2528/1.949.859.8999 sales@eads-nadefense.com